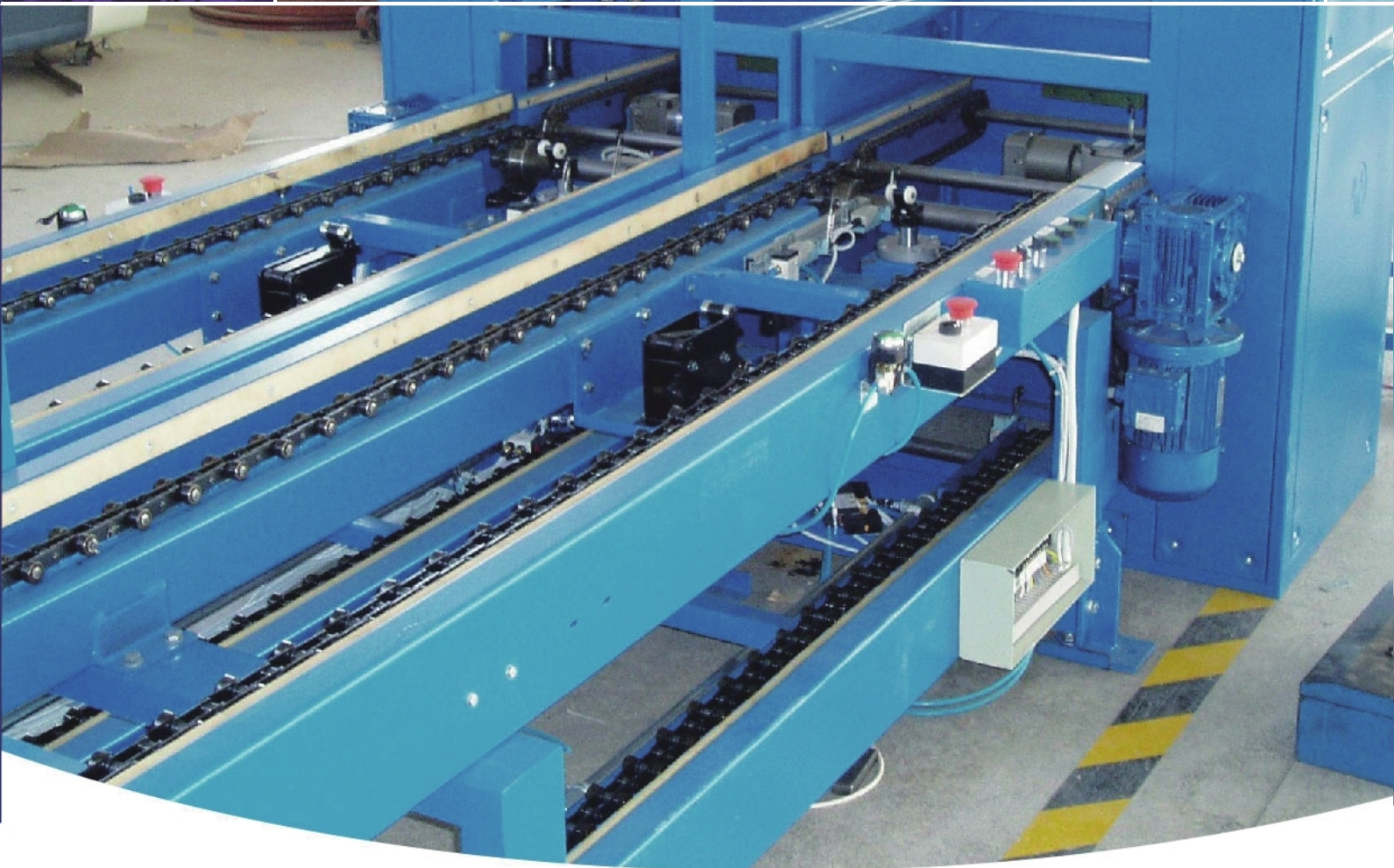
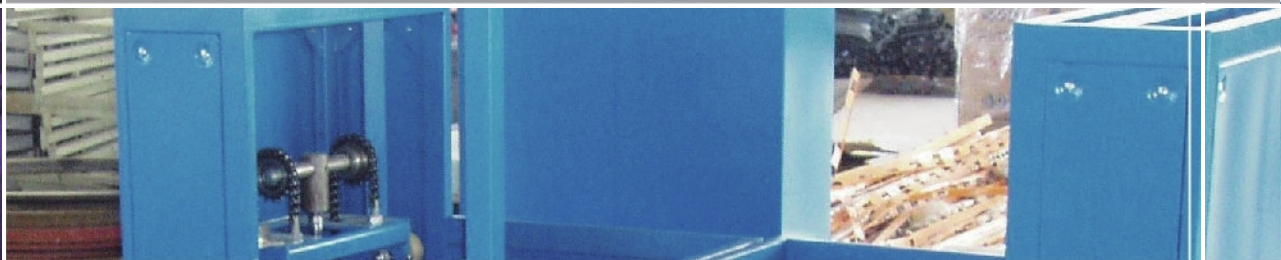
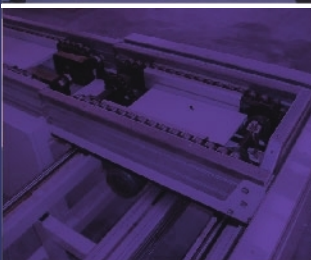




倍速链 Power Free Chain

产品手册 *Catalogue*

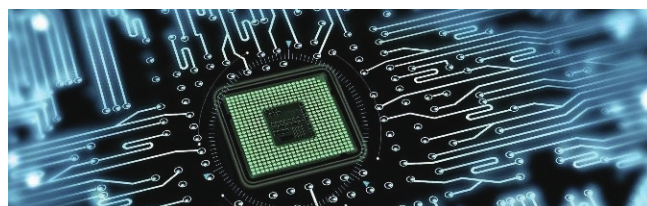


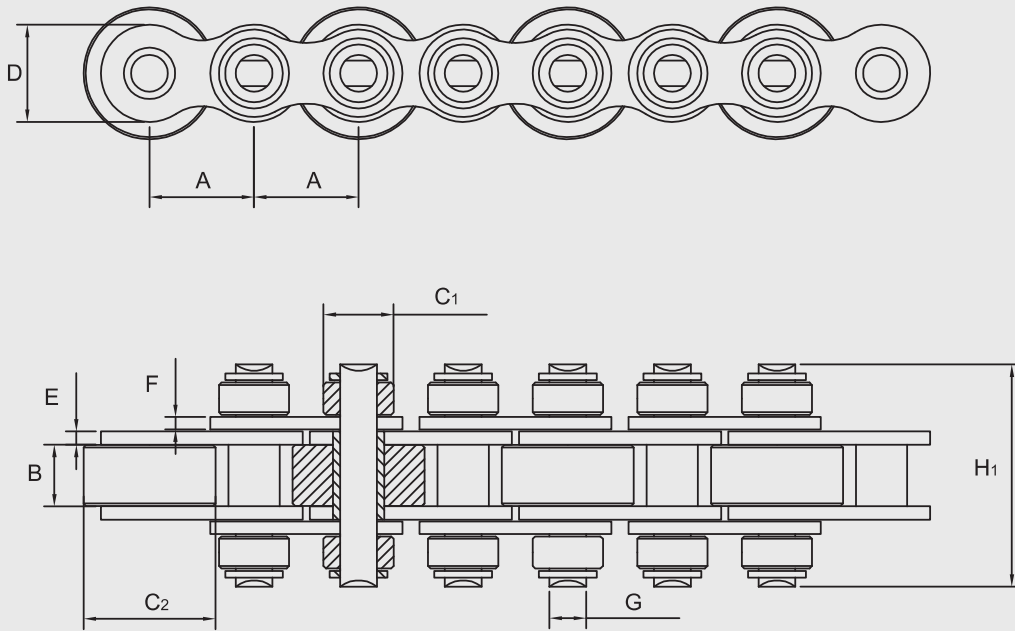
RENOLD
Superior Chain Technology

www.renold.com

Renold倍速链广泛运用于连续或间歇运动来输送各种轻重不同的物品。主要用于装配及加工生产线中的物料输送，其输送原理是运用倍速链条的增速功能，使其上承托货物的工装板快速运行，通过阻挡器停止于相应的操作位置；或通过相应指令来完成积放动作及移行、转位、转线等功能。应用各种电子、电器、汽车等行业生产线。

Renold power free chain widely used in continuous or intermittent movement to transmission various of light and heavy goods. The chain is mainly used for material handling on assembly and processing production line, the conveying principle is to use power free chain speed accelerate function, which result in supporting the material operate in fast speed. Applied in varies of electrical, electrical appliance, automotive industry.





Renold 倍速链引进新的产品系列称为 SLR 系列，Renold 将表面零件都进行镀镍，镀镍涂层可以将摩擦降至最低，延长耐磨寿命，引进粉末冶金套筒，使其能在低润滑或无润滑的情况下运行，而且触摸干燥链条涵盖了比以往任何时候都要多的性能增强特征。

We have implemented new products series for power free chain call SLR, using the latest techniques, Renold have incorporate special surface treatment processes to improve the bonding of the nickel plating, the coating minimizes friction, improve wear life. Also using sinter bush which could be operated normally under low-lube or non-lube environment. This dry-to -the-touch chain now includes more performance enhancing characteristics than ever before.

Renold chain No. 链条编号	Pitch (inch) 节距 (英寸)	Pitch (mm) 节距 (毫米)	Inside Width 内节内宽	Small Roller Diam. 小滚子最大直径	Big Roller Diam. 大滚子最大直径	Plate Height Max 链板最大高度	Inner Plate Width 内链板厚度	Outer Plate Width 外链板厚度	Pin Diam. MAX 销轴最大直径	Pin Length MAX 销轴最大长度	Weight 重量 kg/m
	A	A	B	C1	C2	D	E	F	G	H1	
08BS	0.5	12.7	7.5	8.51	16	11.8	1.6	1.5	4.45	27	1.3
08BS-SLR	0.5	12.7	7.5	8.51	16	11.8	1.6	1.5	4.45	27	1.3
12BS	0.75	19.05	11.4	12.07	28	16.1	1.98	1.8	5.72	43	3.2
16BS	1	25.4	17.02	15.88	38	21	4.15	3.1	8.28	65	6.64

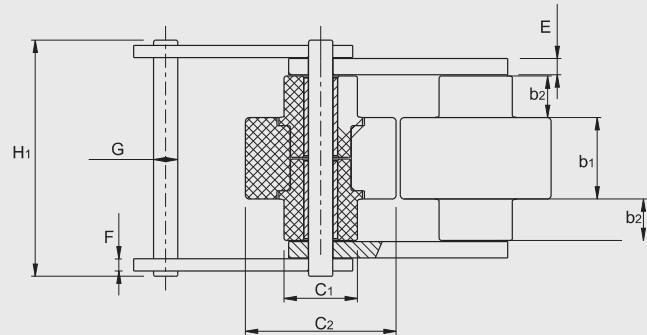
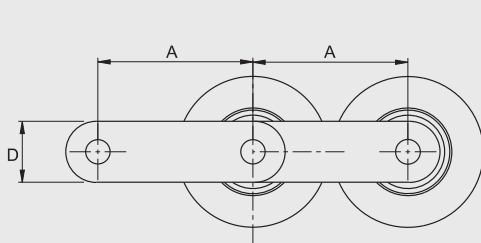
备注：SLR 代表套筒粉末冶金材质

P.S: SLR is bush sintered.

3 || Renold倍速链

在输送时，大直径滚子和小直径滚子之间进行摩擦从而一起旋转，根据滚子直径不同比例，分别为2.5倍和3倍，标准成为BS25和BS30。

When it comes to conveying, large and small diameter roller make the friction with each other to rotate together, according to the different diameter ratio which is 2.5 times and 3 times, then our standard type is BS25 and BS30.



Renoldchain No. 链条编号	Pitch (inch) 节距 (英寸)	Pitch (mm) 节距 (毫米)	Roller Height 滚子高度	Roller Height 滚子高度	Small Roller Diam. 小滚子最大直径	Big Roller Diam. 大滚子最大直径	Plate Height Max 链板最大高度	Inner Plate Width 内链板厚度	Outer Plate Width 外链板厚度	Pin Diam. MAX 销轴最大直径	Pin Length MAX 销轴最大长度	Weight 重量 kg/m
	A	A	b1	b2	C1	C2	D	E	F	G	H1	
BS25-C206B	0.75	19.05	8	4	11.91	18.3	9	1.25	1.25	3.28	24	0.52
BS25-C208A	1	25.4	10.3	5.7	15.88	24.6	11.8	1.5	1.5	3.96	32.6	0.79
BS25-C210A	1.25	31.75	13	7.1	19.05	30.6	15	2	2	5.09	40.2	1.36
BS25-C212A	1.5	38.1	15.5	8.5	22.23	36.6	17.8	2.4	2.4	5.96	51.1	2.24
BS25-C216A	2	50.8	20	11	28.58	48	23.8	3	3	7.92	66.2	4.06
BS30-C206B	0.75	19.05	9.1	4.5	9	18.3	7.28	1.25	1.25	3.28	26.7	0.5
BS30-C208A	1	25.4	12.5	6.1	11.91	24.6	9.6	2	1.5	3.98	35.6	0.83
BS30-C210A	1.25	31.75	15	7.5	14.8	30.6	12.2	2.4	2	5.09	43	1.27
BS30-C212A	1.5	38.1	20	10.2	18	37	15	2.4	3	5.94	58	2.14
BS30-C216A	2	50.8	25.2	12	22.23	49	18.6	4	3	7.94	71.9	3.55

备注：有钢制或者塑料大滚子可供挑选

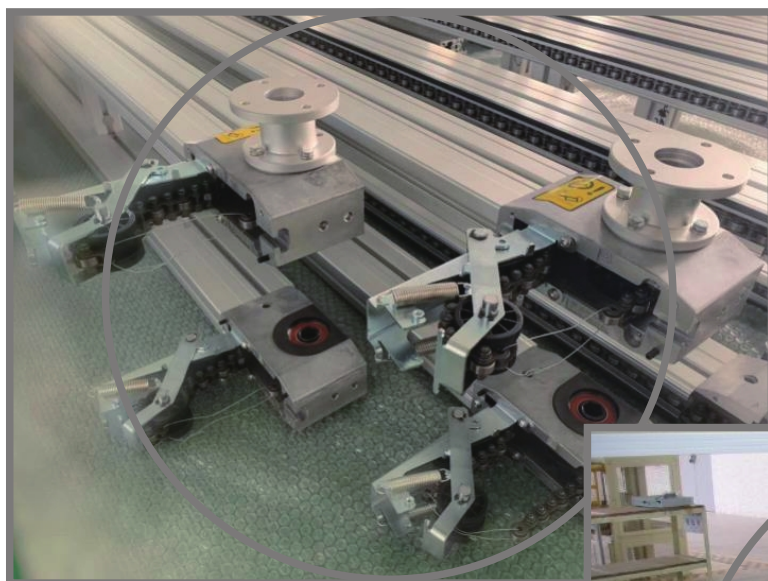
P.S: Available for steel or plastics large roller.

产品特点:

- 提高输送效率
- 输送能力大，可承载较大的载荷；
- 输送速度准确稳定，能保证精确的同步输送；
- 可在各种恶劣的环境（高温、粉尘）下工作，性能可靠；
- 运行平稳，噪音低，耐磨损

Function:

- Improve transmission efficiency
- Large conveying capacity, can handle with heavy load
- Conveyor line transportation speed is accurate and stable, can assure precise synchronization transmission
- Can be operated under various harsh environment (high temperature and dusty) and with reliable performance delivered.
- Smooth operation, low noise, better wear life



雷诺德（中国）传动产品有限公司

Renold (China) Transmission Products Co., Ltd

地址：浙江省杭州市滨江区亚科中心 A 幢 1403 室

电话：+86 4008261915/ 0571-82408555

网址：www.renold.cn

Email: info.cn@renold.com



RENOLD
Superior Chain Technology